



PHOTO 1
SOUTH VIEW ALONG CANAL



PHOTO 2
NORTH VIEW PUMP WELLS



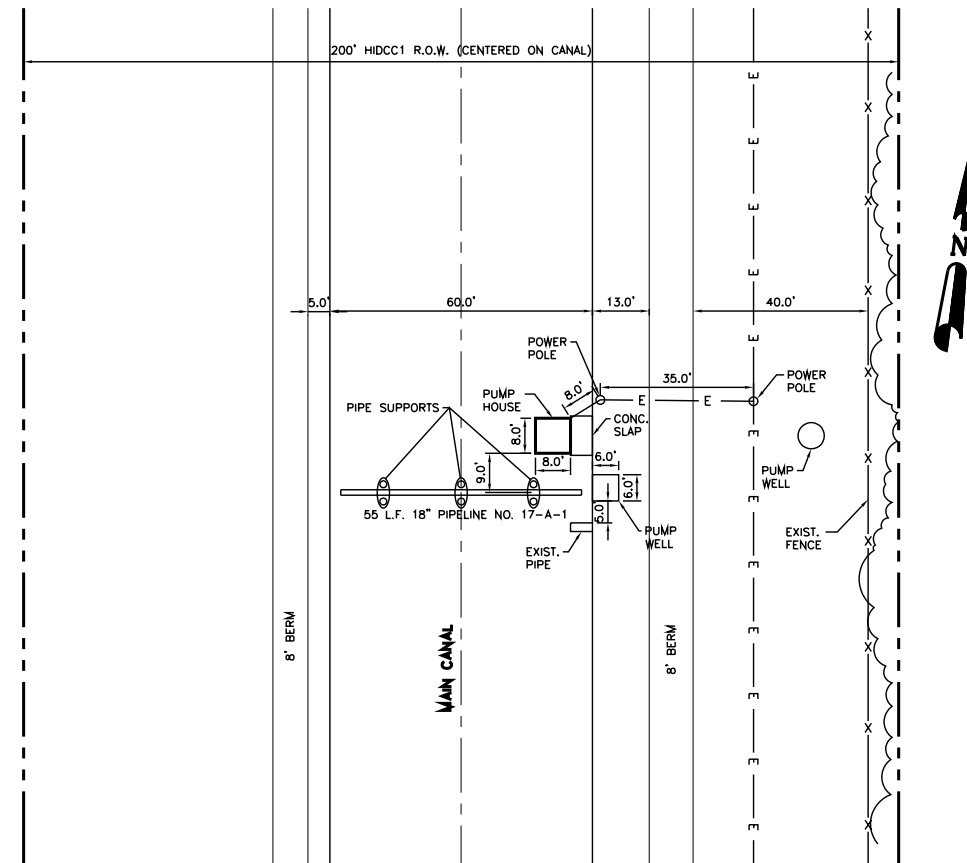
PHOTO 3
PUMP CONTROL PANEL



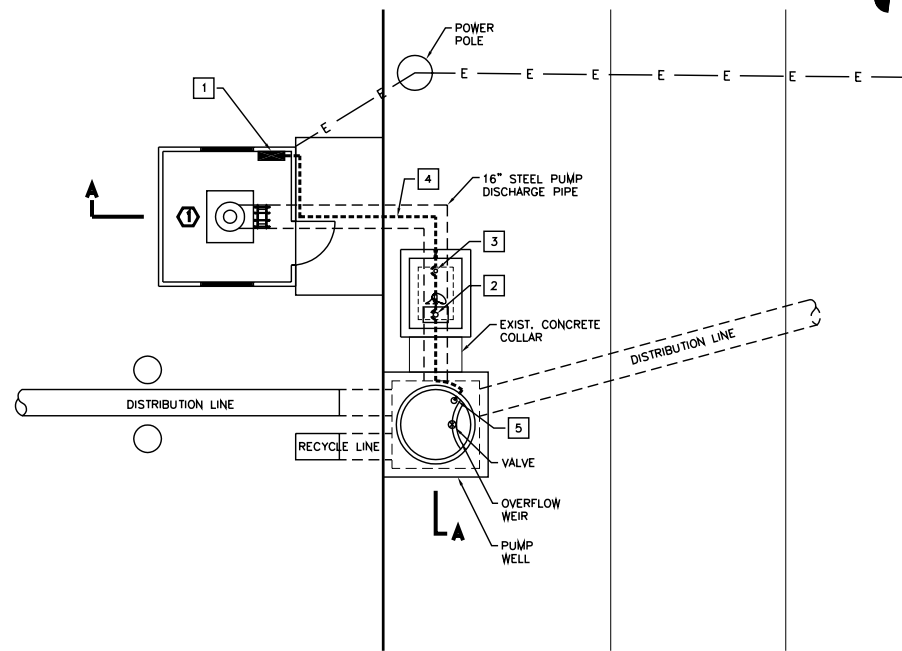
PHOTO 4
WEST VIEW 18" DISTRIBUTION LINE



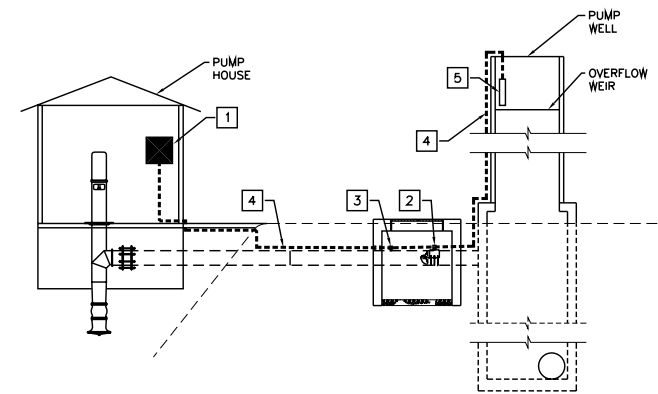
PHOTO 5
WEST VIEW PUMP WELL



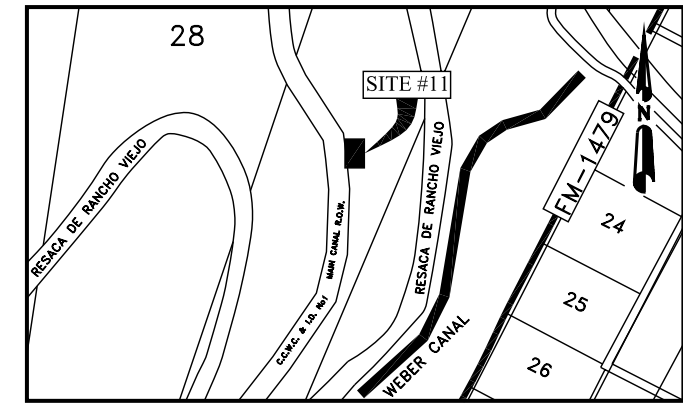
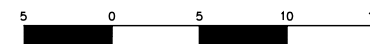
PROJECT SITE PLAN



FLOW MEASUREMENT SITE PLAN



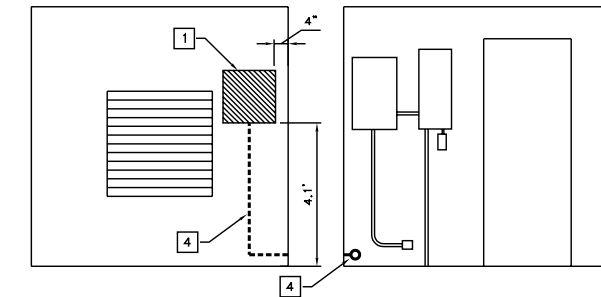
FLOW MEASUREMENT CROSS-SECTION A-A



PROJECT LOCATION MAP

PUMP INFORMATION

PUMP NUMBER	PUMP DISCHARGE	PUMP MANUFACTURER	PUMP TYPE	PUMP SPEED	MOTOR SPEED	MOTOR POWER
①	16 IN.	FAIRBANKS-MORSE	V-PROP	UNKNOWN	UNKNOWN	UNKNOWN



NOTES

- CONTRACTOR SHALL CONNECT EXISTING PUMP CONTROLS TO PROPOSED TELEMETRY SYSTEM. EXACT CONDUIT ROUTING SHALL BE APPROVED BY DISTRICT.
- EACH PUMP SITE SHALL BE EQUIPPED WITH AN ANTENNA FOR DATA TRANSFER. CONTRACTOR SHALL FIELD LOCATE THE ANTENNA MAST WITH DISTRICT'S APPROVAL. SEE DETAIL SHEET 2 FOR ANTENNA MAST AND FOUNDATION DETAILS.

- PROPOSED TELEMETRY ENCLOSURE, SEE DETAIL SHEET 2.
- PROPOSED PROPELLER METER WITH TYPE I METER ENCLOSURE SEE DETAIL SHEET 1.
- 2" CALIBRATION PORT, SEE DETAIL SHEET 1.
- 1/2" ELECTRICAL CONDUIT FROM PROPELLER METER AND SPT TO TELEMETRY ENCLOSURE.
- SUBMERSIBLE PRESSURE TRANSMITTER (SPT), SEE DETAIL SHEET 1.

THIS DOCUMENT IS RELEASED FOR REVIEW ONLY UNDER THE AUTHORITY OF ALLIE W. BLAIR, P.E. NO. 63707 AND IS NOT TO BE USED FOR BIDDING OR CONSTRUCTION.

NO.	DATE	REVISION	APP'VD

AXIOM-BLAIR
ENGINEERING
Austin, Texas 78757
2711 West Anderson Lane, Suite 210
Phone: (512) 451-7100
Fax: (512) 451-7120

Water Conservation Improvements Project
DELTA LAKE IRRIGATION DISTRICT
TYPICAL PUMP HOUSE SITE PLAN

DESIGNED: NCF
APPROVED: AWB
FILE: EX1-BNDY
JOB NO.: 3015
DATE: JUNE 2003